

# FieldSmart®

## FiberFlex 3000 - Convergent



### Application

Clearfield's FieldSmart FiberFlex 3000 Convergent configurations are optimized as a fiber-first design for a variety of joined powered cabinet deployment scenarios. This multi-bay cabinet offering provides support for numerous applications including remote OLTs with PON distribution, wireless base stations with fiber backhaul aggregation, and active network equipment with back-up power needs.

Designed, tested, and certified for GR-487 requirements, the FiberFlex 3000 Convergent models are the ideal outdoor cabinet solution for the harshest environments.

### Description

The FiberFlex 3000 Convergent series uses an all-in-one design approach capable of integrating fiber, power (AC & DC) and active equipment using multiple cabinet bays to separate power and active equipment from the fiber distribution. This cabinet features several different configurations to allow for many possible deployment scenarios along with a 19" or 23" vertical equipment rack to provide options for:

- 60RU (30RU X 30RU): Capable of supporting two strings of batteries, one in each enclosure.
- 56RU (20RU X 36RU): Capable of supporting two battery strings in the 20RU enclosure.
- 72RU (36RU X 36RU): Capable of supporting lithium battery deployments.
- 66RU (30RU X 36RU): Capable of supporting one battery string in the 30RU enclosure.



The FiberFlex 3000 Convergent provides two modular enclosures, one enclosure designed to support all customer powered equipment needs and a separate enclosure supporting fiber distribution. Up to 864 internal fiber distribution ports in the 60RU configurations, and up to 1152 internal fiber distribution ports in the 56RU, 72RU, and 66RU configurations. The FiberFlex 3000 Convergent also offers splitter capacity (based on fiber count), when selected. The FiberFlex 3000 Convergent uses local AC power via the integrated AC Load Center with optional generator plug for back-up.

### Features and Benefits

#### Flexibility (Optional Features)

- Environmental controls include HVAC, heat exchangers, direct air cooling. Configured to meet application and location needs.
- AC power system with main breaker, 12 slot load center and surge protection
- 30-amp Generator Plug for long run time back-up power
- DC power source sized to meet application and distribution needs
- Batteries sized to meet power requirements and back-up power time (supporting both Lithium and VRLA deployments)
- Internal LED light in the powered equipment bay to provide easier equipment installation in dark/low light environments

#### Space Utilization

- Interior rack can be 19" or 23" EIA standard spacing
- Multi-bay cabinet configurable for pad-mount applications only

#### Integrity

- Closed cell door gasket is attached to cabinet frame compliant with NEMA standards
- Grounding provisions: ground straps for doors and master ground bar mounted in cabinet
- 15-amp convenience quad receptacle
- Sunshield to reduce the effects of solar loading
- Lifting eyes on four corners of each cabinet to enable ease of installation and connection between cabinets
- Designed, tested, and certified to GR-487

#### Access

- Fiber-first design for access storage, routing, and protection of fiber
- Internal fiber distribution from 144 to 1152 (depending on configuration) using the Clearview® Blue Cassette with optional splitter tray
- Cable entry ports with removable plate to facilitate ease of installation when using a vault or mounted on concrete pad
- Stainless steel door-stays adjustable from 90-degree to 120-degree openings
- Front and rear door with security padlock hasp and ¼-turn sealing mechanism
- 3-inch mounting plinths for craft-friendly installation

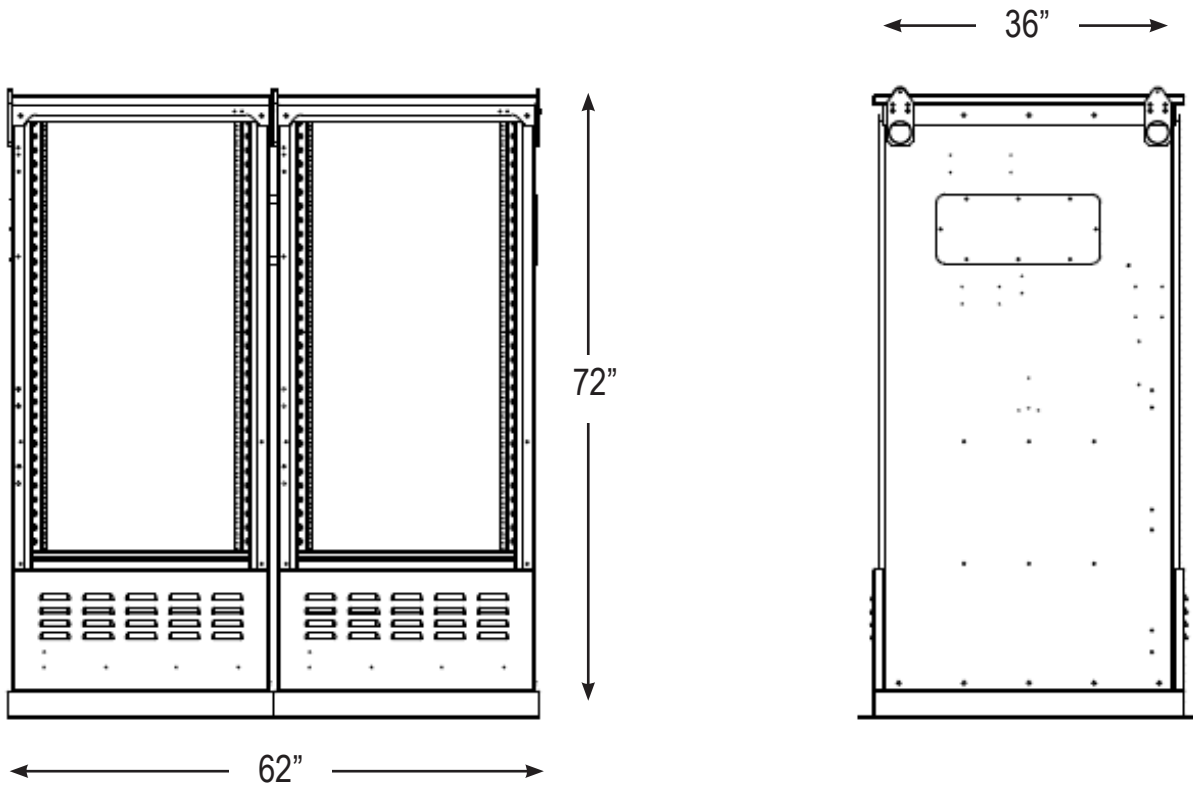
# FieldSmart®

## FiberFlex 3000 - Convergent



### Technical Specifications

FieldSmart FiberFlex 3000 - Convergent 60RU	
Dimensions	Base enclosures with battery compartments: 72"H x 62"W x 36"D
Total Available Rack Units	60RU (30RU & 30RU in separate enclosures)
Configurable Options	<ul style="list-style-type: none"> <li>• AC load center &amp; AC load center with generator connect</li> <li>• 19" or 23" rack mounting</li> <li>• Heat exchanger (HEX) or air-conditioning with heater</li> <li>• AC/DC rectifier option configured from 30 amps to 150 amps (consult Clearfield for systems greater than 150 amps)</li> <li>• Up to 864 fiber distribution ports</li> <li>• Two battery compartments to support up to two battery strings</li> </ul>
Additional Details	<ul style="list-style-type: none"> <li>• Active equipment enclosure and fiber equipment enclosure shipped separately</li> <li>• Separate orderable pour-in-place pad template</li> <li>• Cabinet joining collar included</li> </ul>



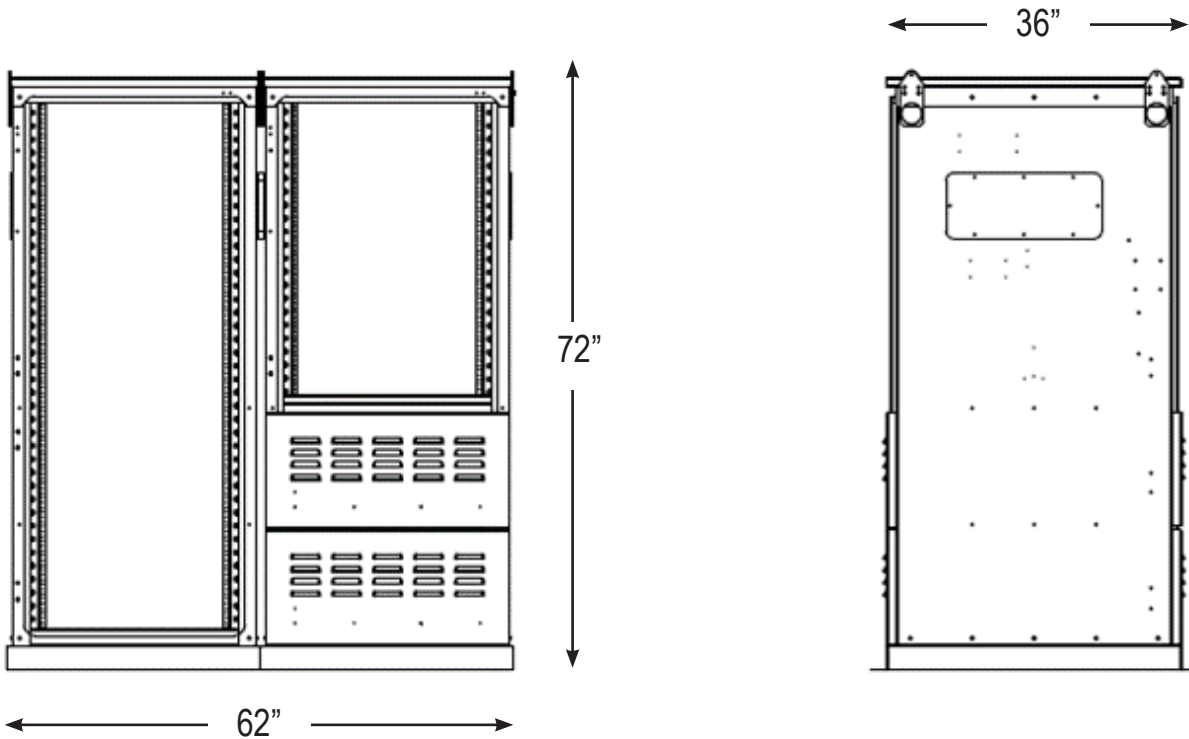
# FieldSmart®

## FiberFlex 3000 - Convergent



### Technical Specifications

FieldSmart FiberFlex 3000 - Convergent 56RU	
Dimensions	Base enclosures with battery compartments: 72"H x 62"W x 36"D
Total Available Rack Units	56RU (20RU & 36RU in separate enclosures)
Configurable Options	<ul style="list-style-type: none"> <li>• AC load center &amp; AC load center with generator connect</li> <li>• 19" or 23" rack mounting</li> <li>• Heat exchanger (HEX) or air-conditioning with heater</li> <li>• AC/DC rectifier option configured from 30 amps to 150 amps (consult Clearfield for systems greater than 150 amps)</li> <li>• Up to 1152 fiber distribution ports</li> <li>• Two battery compartments to support up to two battery strings</li> </ul>
Additional Details	<ul style="list-style-type: none"> <li>• Active equipment enclosure and fiber equipment enclosure shipped separately</li> <li>• Separate orderable pour-in-place pad template</li> <li>• Cabinet joining collar included</li> </ul>



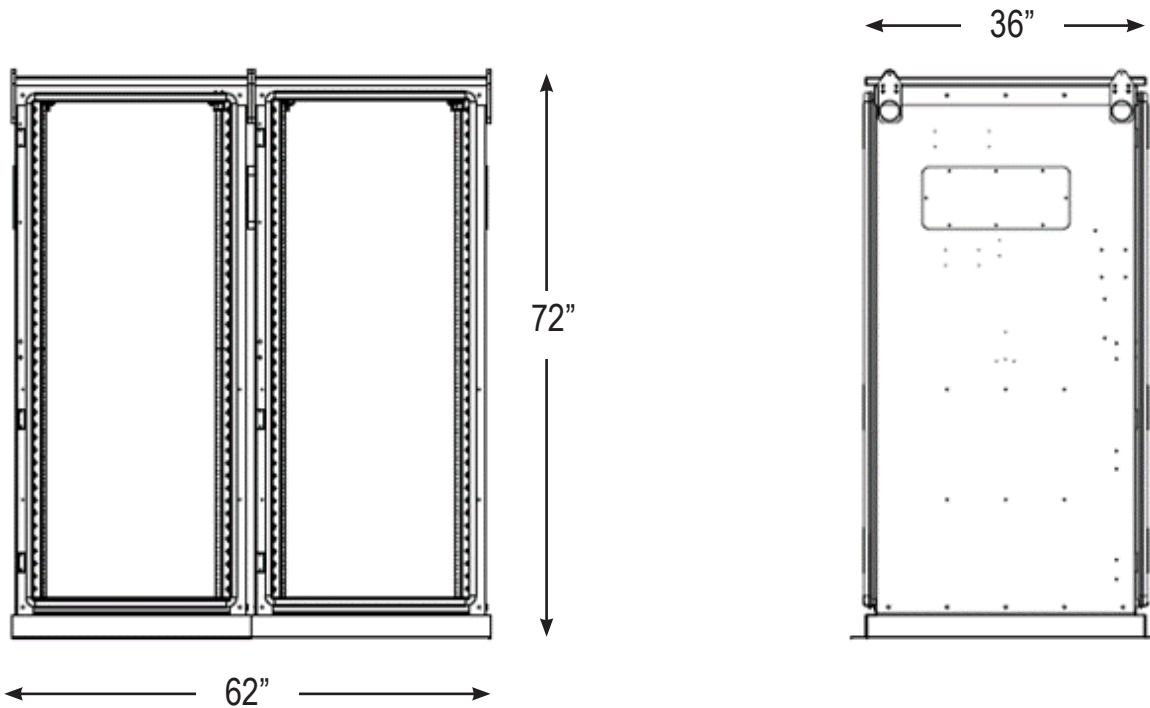
# FieldSmart®

## FiberFlex 3000 - Convergent



### Technical Specifications

FieldSmart FiberFlex 3000 - Convergent 72RU	
Dimensions	Base enclosures with battery compartments: 72"H x 62"W x 36"D
Total Available Rack Units	72RU (36RU & 36RU in separate enclosures)
Configurable Options	<ul style="list-style-type: none"> <li>• AC load Center &amp; AC load center with generator connect</li> <li>• 19" or 23" rack mounting</li> <li>• Heat exchanger (HEX) or air-conditioning with heater</li> <li>• AC/DC rectifier option configured from 30 amps to 150 amps (consult Clearfield for systems greater than 150 amps)</li> <li>• Up to 1152 fiber distribution ports</li> <li>• No battery compartments. Integrated support for Lithium deployments available</li> </ul>
Additional Details	<ul style="list-style-type: none"> <li>• Active equipment enclosure and fiber equipment enclosure shipped separately</li> <li>• Separate orderable pour-in-place pad template</li> <li>• Cabinet joining collar included</li> </ul>



# FieldSmart®

## FiberFlex 3000 - Convergent



### Technical Specifications

FieldSmart FiberFlex 3000 - Convergent 66RU	
Dimensions	Base enclosures with battery compartments: 72"H x 62"W x 36"D
Total Available Rack Units	66RU (30RU & 36RU in separate enclosures)
Configurable Options	<ul style="list-style-type: none"> <li>• AC load center &amp; AC load center with generator connect</li> <li>• 19" or 23" rack mounting</li> <li>• Heat exchanger (HEX) or air-conditioning with heater</li> <li>• AC/DC rectifier option configured from 30 amps to 150 amps (consult Clearfield for systems greater than 150 amps)</li> <li>• Up to 1152 fiber distribution ports</li> <li>• One battery compartment to support one battery string</li> </ul>
Additional Details	<ul style="list-style-type: none"> <li>• Active equipment enclosure and fiber equipment enclosure shipped separately</li> <li>• Separate orderable pour-in-place pad template</li> <li>• Cabinet joining collar included</li> </ul>

